

# TECHNICAL SPECIFICATION FOR LORRY CRANE

## GENERAL

- . Model **HLC-5014**
- . Manufacturer **Hyundai Everdigm**
- . Type **Telescopic Lorry Crane**
- . Main operation **By Side Operation levers**
- . Applicable Truck **Over 4.5 ton payload**
- . Crane net weight **1,960 kg**

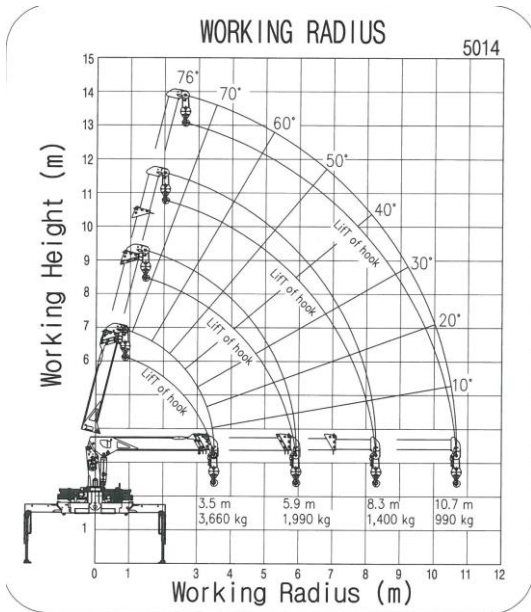
## PERFORMANCE

- . Max. lifting capacity **5.0 ton / 2.5 m**
- . Max. lifting height **12.9 m**
- . Max. working height **13.7 m**
- . Max. working radius **10.7 m**

## BOOM

- . Shape **Hexagonal**
- . Section **4**
- . Structure **2 Cylinders + 1 Wire**
- . Angle **0° ~ 76°**

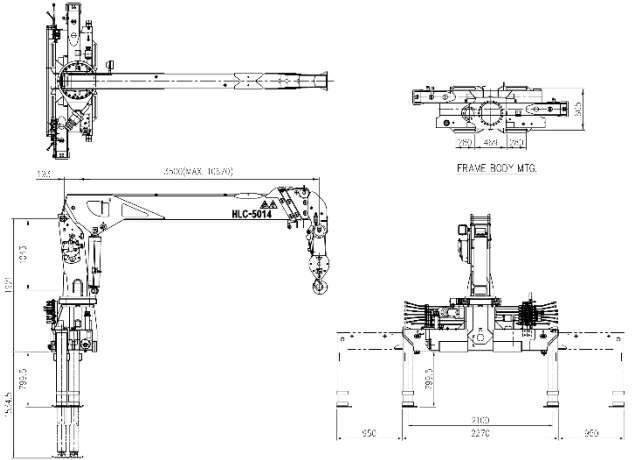
## WORKING RANGE



**. Max. rated Load: 5,000 kgf / 2.5 m**

Load Capacity (kgf/m)	3,660 / 3.5	1 <sup>st</sup> Boom
	1,990 / 5.9	2 <sup>nd</sup> Boom
	1,400 / 8.3	2 <sup>nd</sup> Boom
	990 / 10.7	3 <sup>rd</sup> Boom

## EXTERIOR



## BODY

- . Slewing Type **Worm gear reduction & Hydraulic Brake**
- . Slewing Angle **Unlimited 360°**
- . Slewing Speed **2 rpm**

## WINCH

- . Type **Spur gear reduction & Mechanic Brake**
- . Wire Rope **Φ 10 X 75m**
- . Safety Device **Hook safety Latch**

## HYDRAULIC FLUIDS

- . Type/ Rated Flow **Piston/ 47 ℓ / min @ 1,000 rpm**
- . Rated Pressure **350 kgf / cm<sup>2</sup>**
- . Oil Tank **50 ℓ**

## OUTRIGGER

- . Outrigger No. **2 (Main: 2)**
- . Outrigger Type **Horizontal by Manual**  
**(Horizontal by hydraulic is option)**  
**Vertical by Hydraulic**  
**(Rear Outrigger is optional)**

## SAFETY DEVICES

- . Devices **Pressure Relief Valve**
- Counter Balance Valve**
- Pilot-operated Check Valve(Jack)**
- Boom angle indicator**
- Hook safety Latch**
- Mechanical Winch Brake**
- Warning Alarm**
- Emergency Stop Switch**
- Over-winding Alarm**
- Over-winding Alarm**
- Over-winding Prevention**
- Over-loading Prevention**
- Wire-separation Prevention**

# TECHNICAL SPECIFICATION FOR LORRY CRANE

## GENERAL

- . Model **HLC-5014**
- . Manufacturer Hyundai Everdigm  
Telescopic Lorry Crane
- . Type **By Side Operation levers**
- . Main operation Over 4.5 ton payload
- . Applicable Truck 1,960 kg
- . Crane net weight

## DECAL & STICKER

- . Language English

## CONVENIENCE

Working Lamp

## OPTION

- . Option Automatic Moment Limiter  
Rear Outrigger  
Steel Bucket  
Temperature Sensor (Cold Region)  
Oil Cooler  
Main Outrigger by Hydraulic  
Longer main Outrigger

## SUPPLY SCOPE

- . Excluding Power Take Off, Hoses, Hydraulic Pump, Drive Shaft and Truck Chassis

- . Remarks
  - . The specifications are subject to change, without prior-notice, according to product improvements.
  - . Rated Loads and capacity can be changed, according to crane strength, vehicle weight, loaded condition, crane mounting position, operating condition and the likes.
  - . The above-mentioned rated loads are in the basis of no-load at rated oil flow condition.
  - . All rights reserved. No. part of this publication may be reproduced or distributed in any form or by any means, without prior permission of Hyundai Everdigm.

## GENERAL

LOAD CHART											5014
Radius(m) BOOM	1	2	3	4	5	6	7	8	9	10	10.7
1st	5.000(2.5m)	4140	3660(3.5m)								
2nd		3920	3200	2670	2400	1990(5.93m)					
3rd			2770	2330	2040	1830	1680	1510	1400(8.3m)		
4th			2630	2150	1830	1600	1420	1300	1230	1130	990

### NOTE

- Conditions of the load chart(Solid and flat ground, Including weight of hook and wire rope)
- The load chart can be changed, according to crane strength,loaded condition, crane mounting position and the likes.
- The load chart are subject to change without prior-notice, according to product improvements.